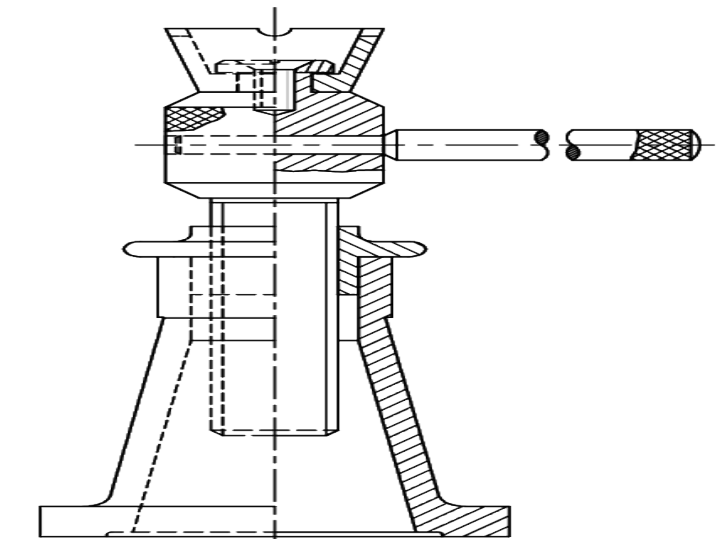
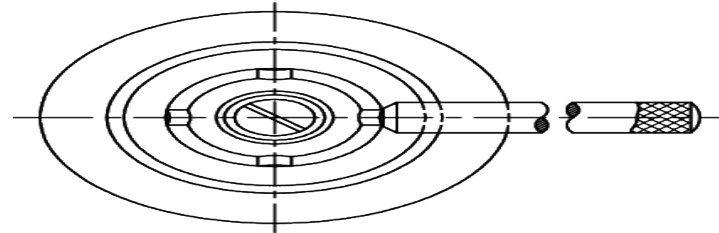


# CHAPTER-7

## Mechanical Screw Jack (Assembled Drawing)



Half Sectional  
Front View



Top View

ASSEMBLY  
DRAWING OF  
SCREW JACK

DIGITAL LINK FOR ASSEMBLY OF SCREW JACK

1 <https://youtu.be/GD70UA5kjFc>

2 <https://youtu.be/EVDffIF3kWk>